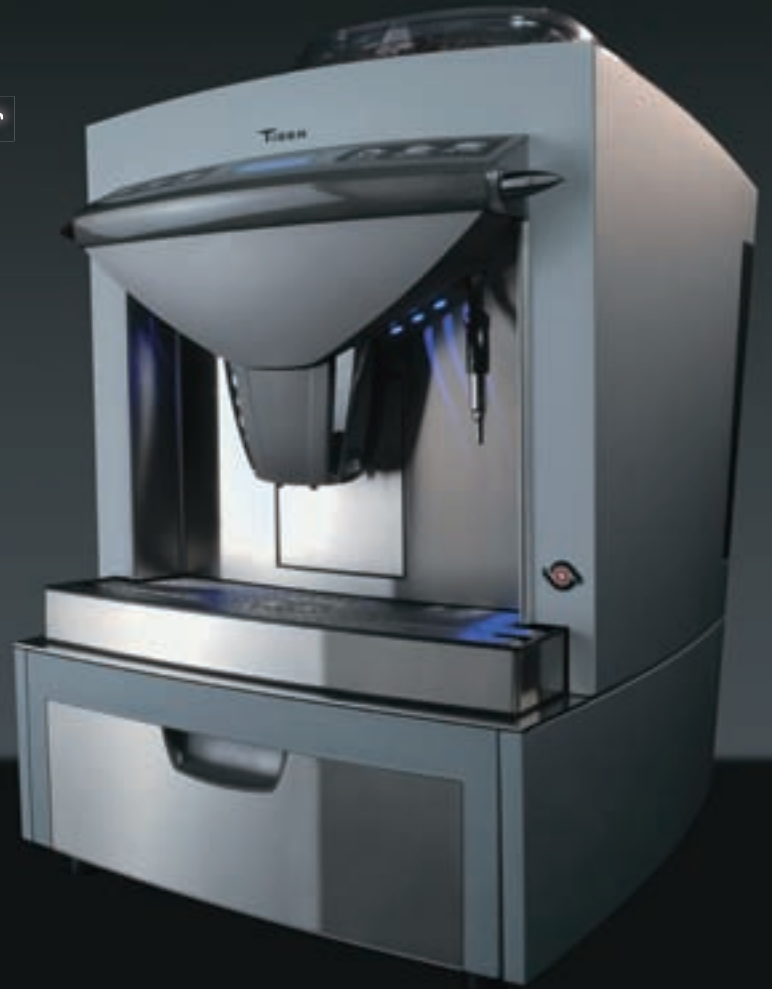


TIGER

Compact and Clever



Technology to serve the ultimate taste

Avoiding water being mixed into the milk during the common steaming process is inevitable. The new patented ThermoFoam Milk System is a unique process to heat and froth milk without a steam boiler eliminating any water dilution into the milk. The fresh milk passes within seconds through the temperature sensor-controlled ThermoFoam Milk System that is the key for the ultimate milk quality and its smooth taste. Furthermore the entire brewing mechanism is made out of solid stainless steel components.



ThermoFoam Milk System



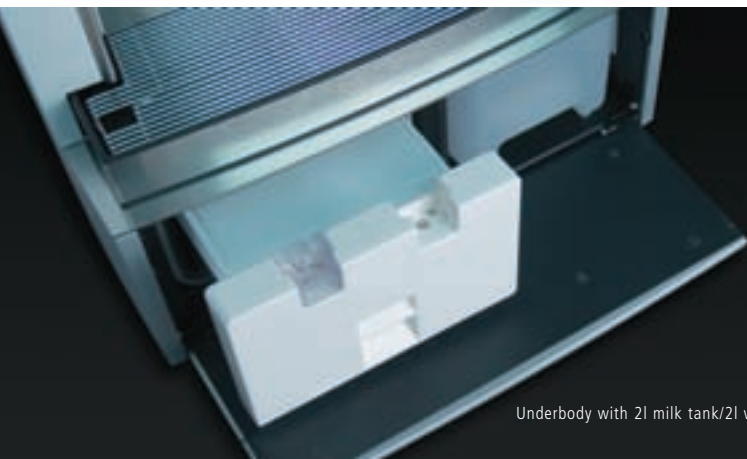
brewing mechanism made of stainless steel

As Individual as You

The TIGER is available tailored to your specific requirements. Choose your preferred model from two basic standard colours or a colour of your choice or an additional price. With one or two coffee grinders; with the new patented one-step ThermoFoam Milk System or the two-step steam option; with or without refrigerated milk drawer. Please refer to the manual to see individual models.



Pod-System



Underbody with 2l milk tank/2l water tank

Key Features

The Thermoplan TIGER combines with new and proven ideas in ONE powerful solution.

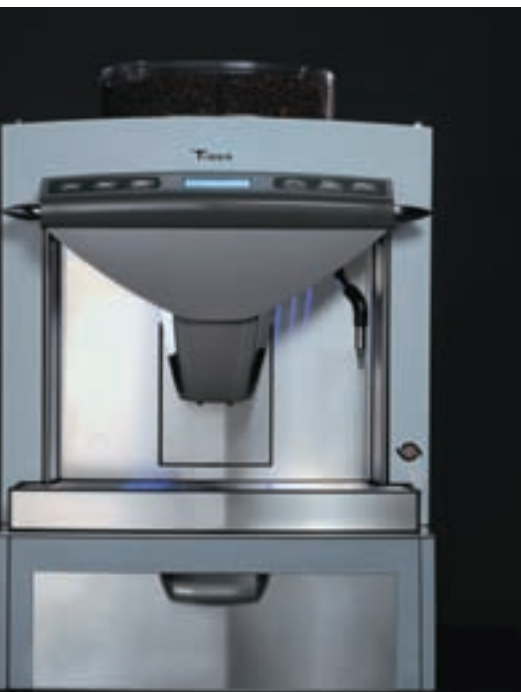
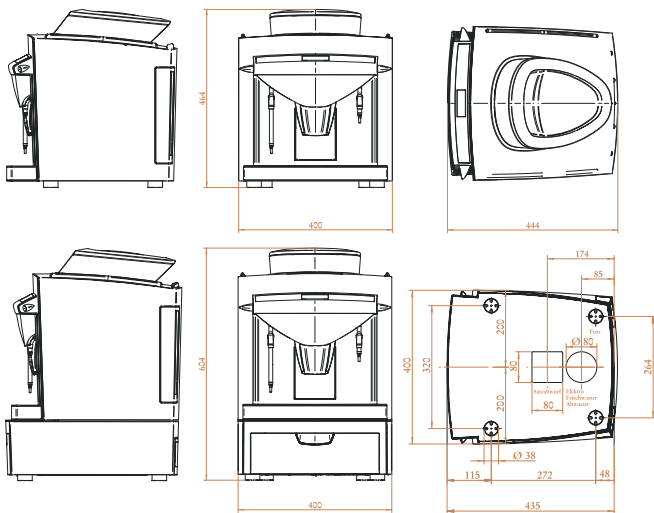
- Integrated one-step ThermoFoam Milk System or automatically controlled two-step steam option
- Equipped to use coffee pods
- 2nd grinder, with single bean hopper for 2 types of coffee
- Solid brewing mechanism made of stainless steel
- Automatic cleaning of coffee and milk system
- Compatible with all common POS cash systems, such as coin validator, coin changer, card reader, POS and cashier beverage systems
- Steam wand with integrated temperature sensor
- Underbody with water tank, water tank/milk tank, or cup warmer
- Compatible with all common cash card systems
- Self-Serve Mode
- Automatic cleaning-program

Production Capacities

Coffee	140/h
Espresso	180/h
Cappuccino	120/h
Cafe Latte	100/h
Coffee Pods	60/h
Hot Water	30 l/h
Steam	1,2 bar continuous operation

Technical Data

Weight	36 kg
Voltage	115–230 V 50/60 Hz
Power	1,85-2,9 kW
Amperage	13 A/25 A
Water connection	3/8" G/2–4 bar



Available exclusively at



Corporate Coffee Solutions
183 Highett Street Richmond 3121

T: 1 300 729 343 or
e: sales@corporatecoffee.com.au
w: www.corporatecoffee.com.au