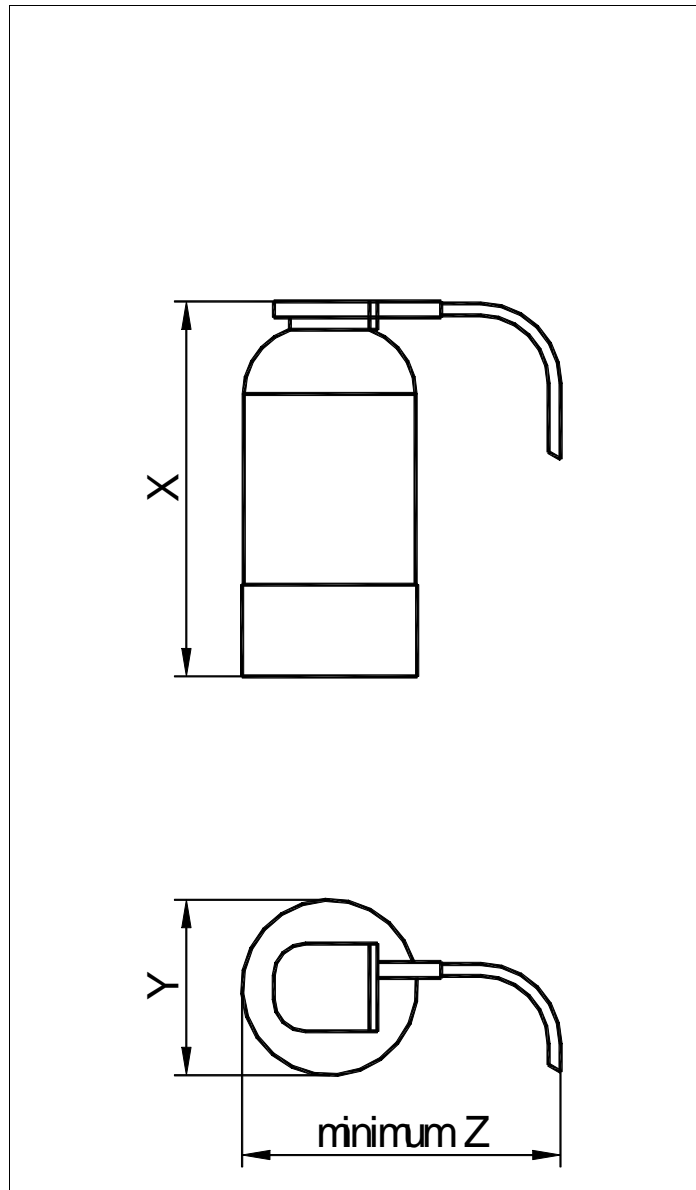


WMF COFFEE MACHINES

WMF Planning Info

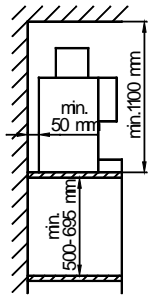
Water treatment filters for WMF coffee machines



Type:	03 9310 0002 Standard	X = 470, Y = 220, Z = 400, clearance height 500 mm
	03 9311 0003 Jumbo, P-GV	X = 640, Y = 260, Z = 420, clearance height 670 mm
	03 9312 0001 Standard,	X = 470, Y = 220, Z = 400, clearance height 500 mm
	03 9314 0001 for Presto only	X = 490, Y = 126, Z = 360, clearance height 500 mm

WMF COFFEE MACHINES

Installation clearances:



For the installation a minimum clearance of 50 mm to the back wall and at the sides to walls or other non-WMF equipment is required for functional, service and safety reasons.

A clear height of 1100 mm from the top of the installation area is required. The height of the installation area from the top of the floor should be at least 700 mm and a maximum of 900 mm.

Installation of accessories underneath the unit (such as water filter or sediment separator) requires a clearance of 500 to 695 mm, depending on the configuration and the local installation conditions.

If the connections of the machine are down through the counter, please also consider the space required by the connection lines, which may restrict the usable space in the substructure.